

A.SHOW TW+ 200W Single-Source LED

- 200W / 6 color LED
- 9.000lm luminous flux
- CRI/Ra 97 / TLCI 98
- IP66 In/Outdoor

ROXX® Architectural SHOW Series offers very high performance, weatherproof fixtures and features Single-Source-LEDs that produce an incredibly smooth lighting and uniform colors, providing a solution for any requirement. The LED variations range from a Tunable White over to a Full Color to a pure Tungsten and up to a Daylight version. Each one reaching an exceptionally good light quality with high CRI / TLCI and a massive light luminosity. The A.SHOW TW+ (Tunable White Plus) convinces with excellent whites and a wide color range due to its 6 color LED engine. Adding Amber, Lime and Cyan extends the color spectrum by 15%, immensely increasing the fixtures light quality and color variety. For consistent colors and excellent whites as defined by the black body curve, ROXX® Color Calibration performs color matching across the entire range. Thanks to the specially developed ROXX® R.LOK technology, the lenses are protected against unauthorized changes but are easily exchangeable when needed. This allows the beam angle to be conveniently adjusted, whether from 19°, 36°, 59° or elliptical 17°x24° and 19°x57°. The A.SHOW Series is IP66 certified and features additional C5-M corrosion protection, proving to be the perfect fixture even in environments like coastal or offshore areas. The power inputs as well as the DMX & 0-10V I/O are realised via cable glands and Phoenix connection blocks for an individual and comfortable installation. Covering all possible requirements, the fixture includes an extensive range of accessories including 8-Way Barndoor, Honey Comb, Anti-Glare Shield, various lenses, Gel Frame and the R.KEY which is a tool that was designed for ROXX® especially to fit all pig-nose tilt locks of the architectural fixtures.

Accessories



Lenses



Accessory Holder



8-Way Barndoor



Honey Comb



R.KEY



Gel Frame



Full Anti-Glare Shield

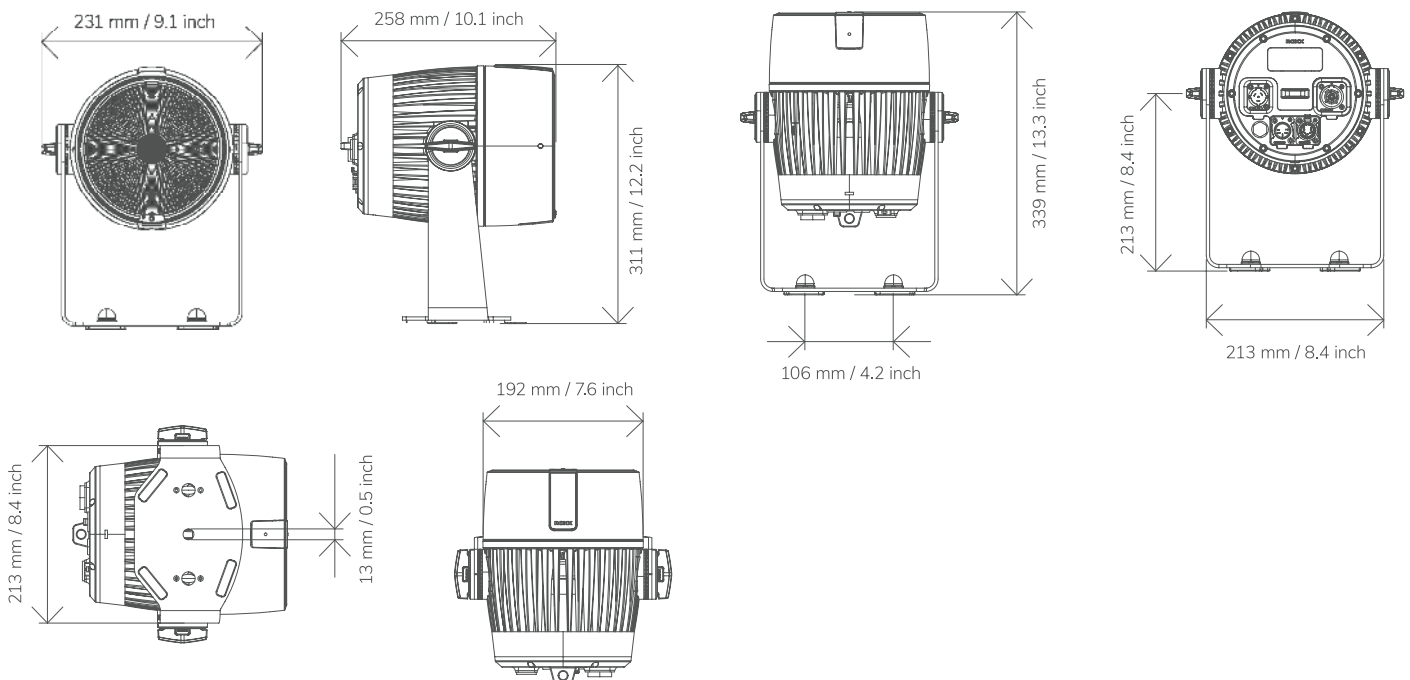


Technical Data

Photometrics	
LED expected lifetime	50.000 hours
Lightsource	1x200W RGBALC
Type of optical system	reflector + interchangeable lens plates
LED PWM Frequency	selectable 800Hz, 1200Hz, 2000Hz, 3600Hz, 12kHz, 25kHz
Beam angles (50%)	19° (with narrow lens) 36° (with medium lens) 59° (with wide lens) 17°x24° (with elliptical narrow lens) 19°x57° (with elliptical wide lens)
Maximum Field angles (10%)	36° (with narrow lens) 72° (with medium lens) 88° (with wide lens) 35°x46° (with elliptical-narrow lens) 43°x81° (with elliptical-wide lens)
Color temperature range	2.000K – 10.000K
Efficacy (max)	49,8 lm/W
CRI/RA	97
TLCI	98
TM-30-15	Rf 96 / Rg 103
Luminous flux	9049 lm
illuminance Lux @ 5m (narrow lens)	1690 lx
illuminance Lux @ 5m (medium lens)	471 lx
illuminance Lux @ 5m (wide lens)	251 lx
illuminance Lux @ 5m (elliptical-narrow lens)	1191 lx
illuminance Lux @ 5m (elliptical-wide lens)	490 lx
Thermal Characteristics	
Cooling	Active, Forced Air, Temperature-regulated
Humidity (max.)	95%
Temperature range, Operating	-20°C to 45°C
Temperature range, Start-up	-20°C to 50°C
Temperature range, Storage	-20°C to 80°C
Thermal Protection	Automatic overtemperature protection
Electrical Data	
AC power, max.	90 – 305V 50/60Hz
AC Power, nominal	100 – 277V 50/60Hz
Electrical Protection	Overload protection with automatic recover
Max Inrush Current	50A
Max power consumption	220W
Typical power consumption	153W
Standby power	6,7W
Max power thru @ 100V	8A
Max power thru @ 230V	8A
Power factor	0,92 PF (230 V) / 0,99 PF (100V)
Power Supply Unit	Inbuilt auto-ranging electronic switch-mode
Power Linking	4 units @ 120V; 8 units @ 230V
Operator & Controller	
DMX channels	3/10CH HSI, 3CH CCT, 3/6/9/11/14CH RGB, 6/12/13/20CH DIRECT

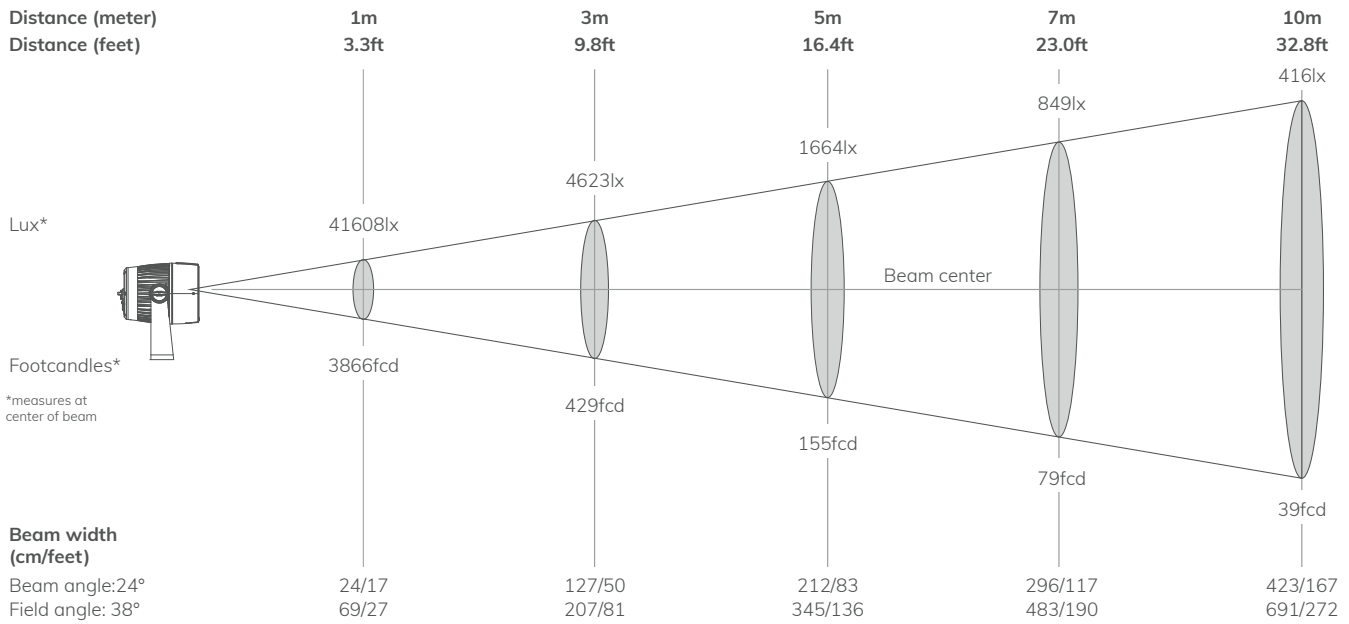
Technical Data

DMX modes	12
Protocol	CRMX, W-DMX™ G2, W-DMX™ G3, W-DMX™ G4, W-DMX™ G4S USITT DMX512A RDM ANSI E1.20 Bluetooth (Low Energy)
Setting and addressing	OLED graphical display / 4 controls RDM ANSI E1.20
Standalone mode	Auto Program, Editor, Color Macro, Quick Color, Tunable White, User Color, Timer
Wireless DMX	Lumenradio with RDM (CRMX)
Indicator	OLED graphical display
Controls	4 touch sensitive, backlit controls
Strobe	0-20Hz
DMX & 0-10V I/O	cable bushing thru IP66 rated PG connection, including Phoenix type terminal block
Power Input	cable bushing thru IP66 rated PG connection, including Phoenix type terminal block
Dimensions & Weight	
IP class	IP 66
Net Dimensions (w x h x d)	231 x 311 x 258 mm
Physical Head Straight Up Height	339 mm
Net Dimensions inches	9,1 x 12,2 x 10,1 inches
Net Weight	5,7 kg (12,6 lbs)
Included / Optional	
Included items	2x radiator caps for pendant installation 2m power cable
Color options	White – RAL 9010 Black – RAL 9004 (Standard) Custom color – any RAL



Luminaire Photometrics

Narrow Lens



Lens	Angle	Distance									
		1m/3.3ft		3m/9.8ft		5m/16.4ft		7m/23ft		10m/32.8ft	
		Lux Center lx/fcd	Diameter cm/inch	Lux Center lx/fcd	Diameter cm/inch	Lux Center lx/fcd	Diameter cm/inch	Lux Center lx/fcd	Diameter cm/inch	Lux Center lx/fcd	Diameter cm/inch
N	Beam angle: 19°	42208/ 3921	34/13	4690/ 436	102/40	1688/ 157	170/67	861/ 80	238/94	422/ 39	340/135
	Field angle: 36°		65/26		195/77		325/128		455/179		650/256
M	Beam angle: 36°	11777/ 1094	65/26	1309/ 122	196/77	471/ 44	327/129	240/ 22	458/180	118/ 11	653/257
	Field angle: 72°		144/57		432/170		720/284		1008/397		1440/567
W	Beam angle: 59°	6264/ 582	114 /57	696/ 65	341/134	250/ 23	569/224	128/ 12	797/314	63/ 6	1138/448
	Field angle: 88°		194/76		583/230		972/383		1361/536		1945/766
EN	Beam angle: 17°x24°	29784/ 2767	30x42/ 12x17	3309/ 307	91x127/ 36x50	1191/ 111	151x212/ 59x84	608/ 56	212x296/ 84x117	298/ 28	302x423/ 119x167
	Field angle: 35°x46°		63x85/ 25x34		189x256/ 74x101		315x427/ 124x168		441x597/ 174x235		631x853/ 248x336
EW	Beam angle: 19°x57°	12250/ 1138	33x109/ 13x43	1361/ 126	100x326/ 39x128	490/ 46	166x543/ 65x214	250/ 23	233x760/ 92x299	123/ 11	333x1086/ 131x428
	Field angle: 43°x81°		79x171/ 31x67		238x513/ 94x202		396x856/ 156x337		554x1198/ 218x472		792x1711/ 312x674

Order Number

A.SHOW TW+	Order Number
A.SHOW TW+ Black	11302001
A.SHOW TW+ White	11302002
A.SHOW TW+ Custom	11302003
Accessories	Order Number
A.SHOW Lens N (Narrow)	11307005
A.SHOW Lens M (Medium)	11307105
A.SHOW Lens W (Wide)	11307205
A.SHOW Lens EN (Elliptical Narrow)	11307305
A.SHOW Lens EW (Elliptical Wide)	11308205
A.SHOW Accessory Holder	11307401

Accessories	Order Number
A.SHOW Barndoor	11307501
A.SHOW Honey Comb	11907601
Gel Frame	11907701
R.KEY	11990013
SHOW Full Anti-Glare Shield (White)	11208402
SHOW Full Anti-Glare Shield (Custom Color)	11208403

Further Versions



A.SHOW FC



A.SHOW T



A.SHOW D

