



FLEX Case | Casetec

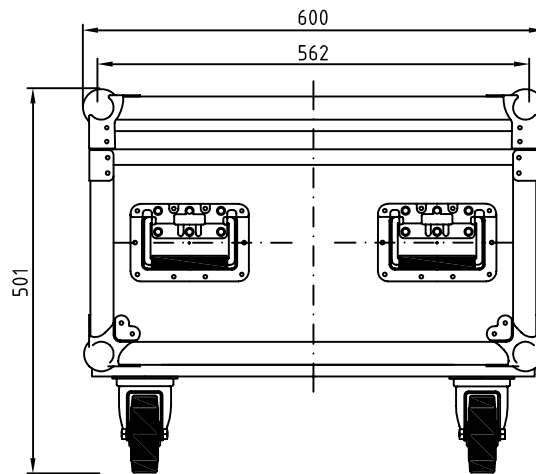
- flightcase for 16x B.FLEX mini or 16x B.FLEX
- heavy duty fittings
- 8 handles, stack trays and label dish
- With charging socket at the back
- empty weight: kg / lbs
- Ordernumber: **12906401**



Option A	Option B	Option C
<ul style="list-style-type: none"> • 16x B.FLEX mini • 12x 8 filter each • 4x power supply unit 	<ul style="list-style-type: none"> • 16x B.FLEX mini + XS Tube • 12x 8 filter each • 4x power supply unit 	<ul style="list-style-type: none"> • 16x B.FLEX mini + S Tube • 12x 8 filter each • 4x power supply unit
	<ul style="list-style-type: none"> • 16x B.FLEX • 12x 8 filter each • 4x power supply unit 	<ul style="list-style-type: none"> • 16x B.FLEX + XS Tube • 12x 8 filter each • 4x power supply unit



Sideview:



Front- /Backview:

