

CLUSTER B4 FC



- 4 x 300W Full Color
- RGBA + Warm White LED's
- Up to 40.000 luminous flux
- C-Lok Cluster System
- Magnetic Pre-Link system

All CLUSTER products can be easily connected both horizontal and vertically, by using the integrated C-Lok system. The series is made to enable toolless multiple array configurations, scalable from a single vertical line, to massive matrix like arrays. Due IP65 rating all products are outdoor ready and protected from ingress of dust and rain. There are several mounting options – Camlock mounts on top and back enable the use of Omega-Brackets, Yokes can be attached to mounting points on all sides, or the internal C-Lok system can be used for seamless inter-connection. Pre-Link Magnets on top and side help to align the fixtures, giving an incredible user-friendly operation and save interlocking. A specially designed rigging bracket is used for seamless connection of multiple Blinders, to avoid gaps due to bracing of the truss structure by variable, sliding mounting positions. Floor extensions can be used to create vertical structures in single or double rows.

The Full Color version reproduces the same look by using it's warmwhite LED's in combination with RGB and Amber, plus the full range of user adjustable color mixing and tunable white.



Accessories



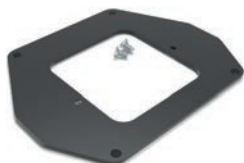
Yoke 4.2
(Included)



Yoke 4.3
(Optional)



Omega Bracket



Floor Extension



Rigging Bracket G2



Floor Bracket



Cases

Technical Data

Photometrics

LED expected lifetime	50.000 hours
Lightsource	4x 300W Red, Green, Royal Blue, Amber, Warm-White
Type of optical system	Reflector with Compound Eye Lens
LED PWM Frequency	selectable 800Hz, 1200Hz, 2000Hz, 3600Hz, 12kHz, 25kHz
Beam angles (50%)	50°
Maximum Field angles (10%)	87°
Color temperature range	2.000-10.000K
Efficacy (max)	22,62 lm/W
CRI/RA	90 @ 5600K / 86 @ 2900K
Luminous flux	28.300 lm
illuminance Lux @ 1m / 3,3ft (@ 2900K)	33265lx / 3090fcd
illuminance Lux @ 3m / 9,8ft (@ 2900K)	3695lx / 343fcd
illuminance Lux @ 5m / 16,4ft (@ 2900K)	1330lx / 124fcd
illuminance Lux @ 7m / 23,0ft (@ 2900K)	675lx / 63fcd
illuminance Lux @ 10m / 32,8ft (@ 2900K)	333lx / 31fcd

Thermal Characteristics

Cooling	Active, Forced Air, Temperature-regulated
Humidity (max.)	95%
Temperature range, Operating	-40°C to 45°C
Temperature range, Start-up	-20°C to 45°C
Temperature range, Storage	-40°C to 80°C
Thermal Protection	Automatic overtemperature protection

Electrical Data

AC Power, max	90 – 285V 50/60Hz
AC Power, nominal	100 – 240V 50/60Hz
Electrical protection	Overload protection with automatic recover
Max power consumption	1250W
Constant power consumption	400W
Power Max. Out	9A @ 230V / 2A @ 120V
Power Linking @ Max Power Consumption (Boost Mode)	1 unit @ 230V / 0 unit @ 120V
Power Linking @ Constant Power Consumption (Illumination Mode)	7 units @ 230V / 2 units @ 120V
Power Factor	0.925 PF (230V) / 0.993 PF (120V)
Power Supply Unit	Inbuilt auto-ranging electronic switch-mode

Operator & Controller

DMX Functions	Master Dimmer, Master Dimmer Fine, Shutter, Duration, Dimmer 1-4, Dimmer 1-4 Fine, Red 1-4, Red 1-4 Fine, Green 1-4, Blue 1-4, Blue Fine 1-4, Amber 1-4, Warm-White 1-4, CTC 1-4, Tint 1-4, Color Macro 1-4, Color Macro Crossfade 1-4, Effect, Dimmer Curve, Dimmer Response, Redshift, Device Settings
DMX channels	1CH DWE, 2 CH DWE, 4-1CH DWE, 4-2CH DWE, 9CH DWE+, 8CH STROBE, 12CH RGB, 10CH BASIC RGB, 14CH BASIC RGB, 21CH SECTION RGB, 21CH STANDARD RGB (default), 22CH Comp RGB, 38CH STANDARD RGB, 40CH EXTENDED RGB, 57CH EXTENDED RGB, 20CH DIRECT, 12CH DIRECT, 29CH DIRECT, 48CH DIRECT, 73CH DIRECT
DMX modes	20
Protocol	USITT DMX512A RDM ANSI E1.20
Setting and addressing	OLED graphical display / 4 controls RDM ANSI E1.20

Operator & Controller

Standalone mode	Auto Program, Editor, Color Macro, Quick Color, Tunable White, User Color, Timer
Wireless DMX	n.a.
Indicator	OLED graphical display
Controls	4 touch sensitive, backlighted controls
Strobe	0-20Hz
DMX I/O	IP65 XLR 5-pin male/female
Power In	TRUE1 compatible input & link-thru sockets
USB Firmware Update	IP65 USB socket

Dimensions & Weight

IP class	IP65
IK class	IK08
Body material	Aluminum, Nylon
Lens material	Tempered glass front
Net dimensions (w x h x d)	400 x 400 x 191mm
Net dimensions inches	15,75 x 15,75 x 7,52 inches
Net weight (incl. Yoke)	16,2 kg (35,71lbs)
Tilt	360°
Tilt Locking System	Locking system with tothing and angle indicator

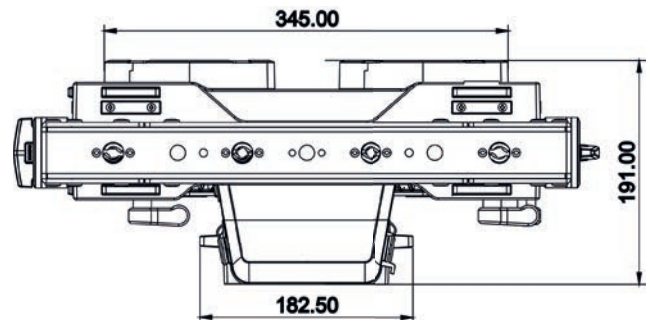
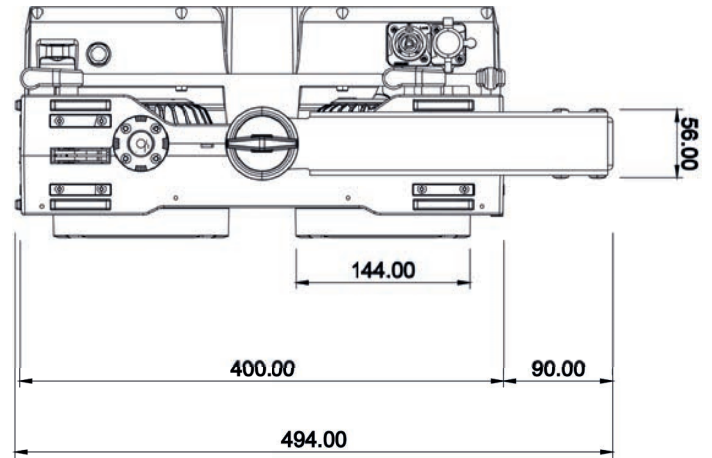
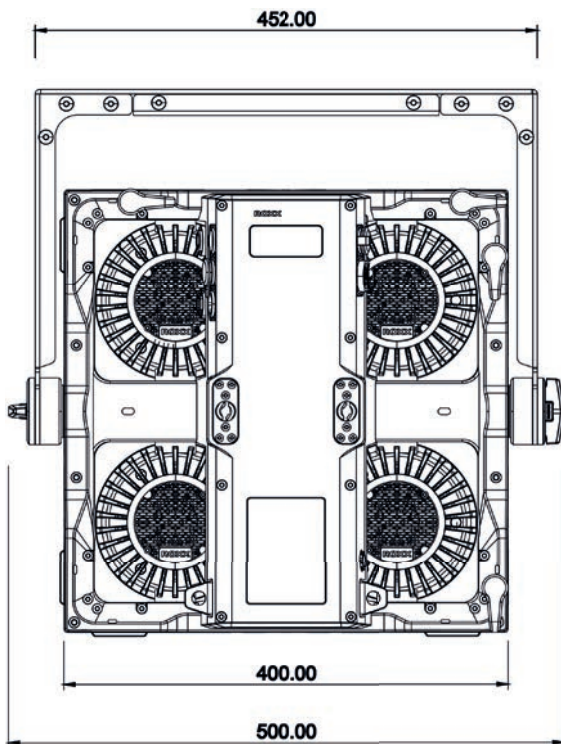
Included / Optional

Included items	Yoke 4.2, 2m Power Cable, Puk
Optional Accessories	Yoke 4.3, Yoke Floor Extension, Rigging Bracket G2, Omega Bracket ST, Floor Bracket
Color options	Black – RAL 9004 (Standard) Custom color – any RAL (on request)

Installation

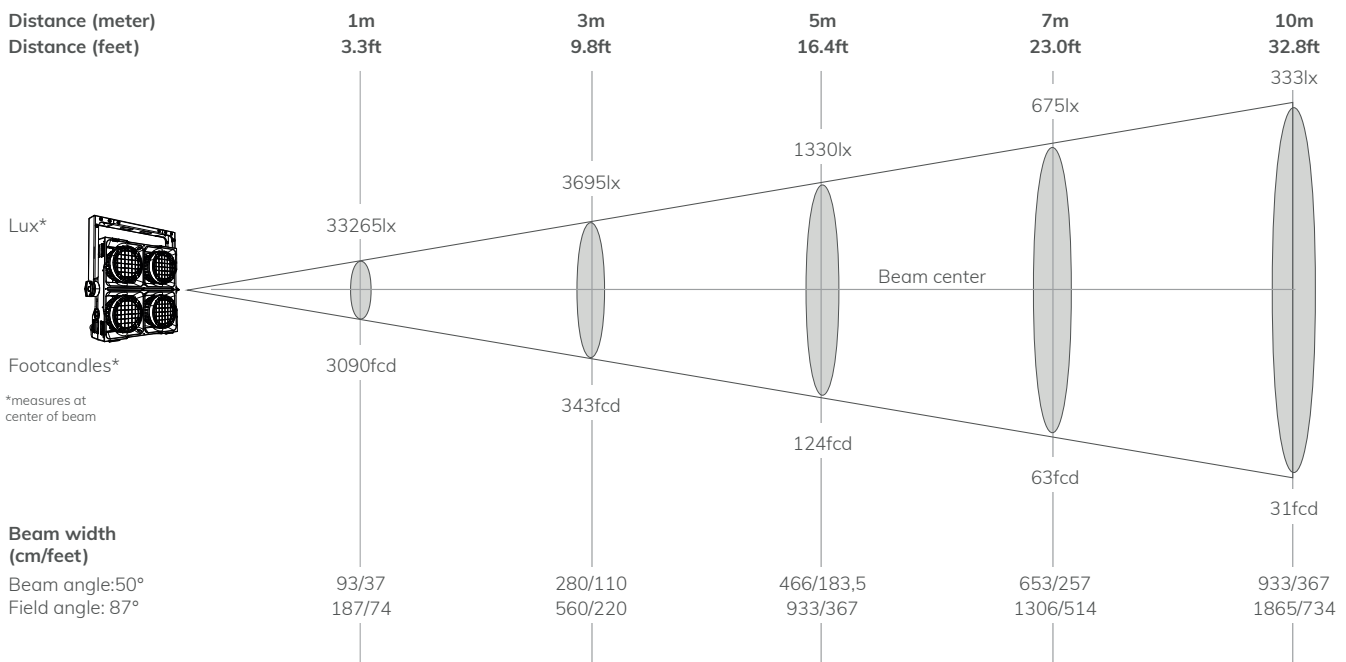
Mounting point by Yoke (included)	3x 13mm / 1/2" holes, 1x centric TV Spigot attachment, 3x integrated Camlocks for Omega Brackets
Mounting point on fixture	1/4 turn Omega Bracket on top and rear side
Mounting point with optional Rigging Bracket	2x 13mm / 1/2" holes for Clamp fixation
Orientation	Any
Rigging possibilities	Hanging or ceiling / pendant mount
Safety features	2x rear mount for safety wire
Minimum distance from flammable materials	0,3 meters (11,8 inch)

Technical Drawing



Luminaire Photometrics

B4 FC (@ 2.900K)



Order Number

CLUSTER	Order Number
B4 W	13204001
B2 W	13202001
B2 FC	13202101
Accessories	Order Number
Yoke 4.2	13907701
Yoke 4.3	13907101

Accessories	Order Number
Floor Extension	13907201
Floor Bracket	13908501
Rigging Bracket G2	13907411
Case 4 pcs. / 8 pcs.	13907411
Case 2 pcs / 4 pcs.	13907511
Omega Bracket	90900002

Further Versions



CLUSTER B4 W



CLUSTER B2 W



CLUSTER B2 FC

