

E.SHOW maxx TW+

800W Single-Source LED



- 800W / 6 color LED
- 30.000lm luminous flux
- CRI / Ra 97 / TLCI 99
- IP65 In/Outdoor

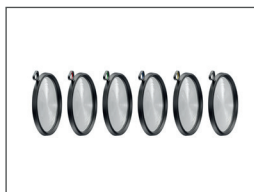
The E.SHOW maxx TW+ expands the SHOW series with a 800W luminaire with perfect whites and brilliant colors. The new IP65-certified spotlight with its specially developed 6-colour LED chip has an enormous output of up to 10,000lx at a beam angle of 14° / 5m. For big shows, large exhibitions and studio applications, where up to now costly and maintenance-intensive discharge lamps were used.

Whether you're fine-tuning lighting for live broadcasts, interviews, or studio productions, the accessories called Half Grids ensure impeccable lighting control to meet the standards of television professionals. These accessories feature grids on one half of the ring, offering two different densities for precise control over lighting, ideal for professional TV applications.

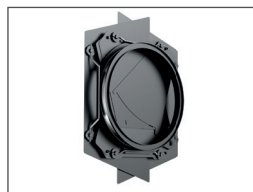
In addition, there is a novel "one-hand lens change system" and there is the option for powerless presets of dimmer, CCT, which saves enormous time during set-up and setup. This is complemented by an optimised rigging bracket, an integrated CRMX transmit and receive function and, of course, the new spotlight also works directly with the ROXX.APP.



Accessories



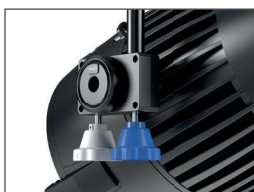
Lenses



8-Way Barndoor



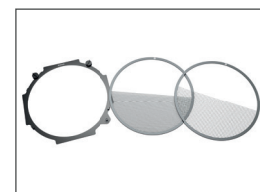
Honey comb



PO-Yoke



Ground Plate



Grid Holder & Half Grids

Apps



Technical Data

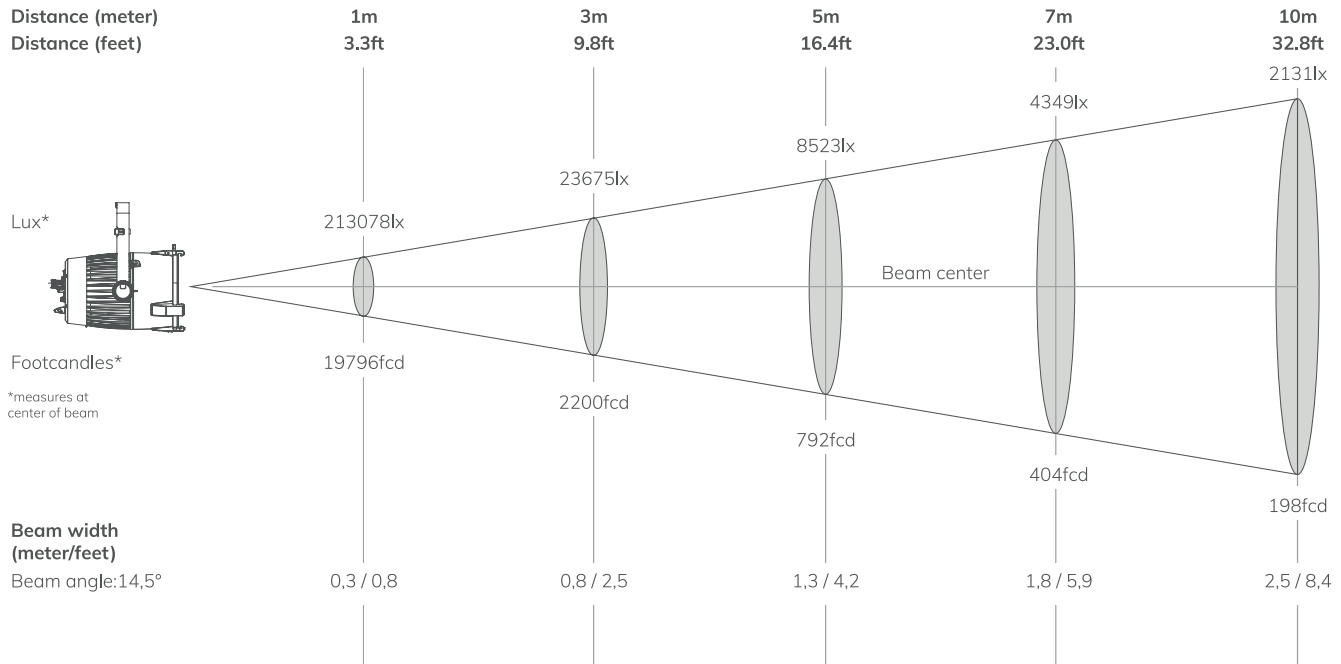
Photometrics	
LED expected lifetime	50.000 hours
Lightsource	1x800W RGBALC
Type of optical system	reflector + interchangeable lens plates
LED PWM Frequency	selectable 800Hz, 1200Hz, 2000Hz, 3600Hz, 12kHz, 25kHz
Beam angles (50%)	14° (with VN lens) 24° (with N lens) 35° (with M lens) 49° (with W lens) 22°x16° (with EN lens) 54°x18° (with EW lens)
Maximum Field angles (10%)	28° (with VN lens) 40° (with N lens) 63° (with M lens) 78° (with W lens) 41°x31° (with EN lens) 79°x39° (with EW lens)
Color temperature range	2.000K – 10.000K
Efficacy (max)	36lm/W
CRI/RA	97
TLCI	99
Luminous flux	29.596 lm
illuminance Lux @ 3m (with VN lens)	8551 lx
illuminance Lux @ 3m (with N lens)	4696 lx
illuminance Lux @ 3m (with M lens)	2229 lx
illuminance Lux @ 3m (with W lens)	1312 lx
illuminance Lux @ 3m (with EN lens)	5512 lx
illuminance Lux @ 3m (with EW lens)	2263 lx
Thermal Characteristics	
Cooling	Active, Forced Air, Temperature-regulated
Humidity (max.)	95%
Temperature range, Operating	-20°C to 45°C
Temperature range, Start-up	-20°C to 50°C
Temperature range, Storage	-20°C to 80°C
Thermal Protection	Automatic overtemperature protection
Electrical Data	
AC power, max.	90 – 285V 50/60Hz
AC Power, nominal	100 – 260V 50/60Hz
Electrical Protection	Overload protection with automatic recover
Max power consumption	900W
Standby Power	10,5W (230V) / 10,2W (100V)
Max power thru @ 100 V	7A
Max power thru @ 230 V	11A
Power Factor	0,968PF (230V) / 0,992PF (120V)
Power Supply Unit	Inbuilt auto-ranging electronic switch-mode
Power Linking	1 units @ 120 V; 3 units @ 230 V

Technical Data

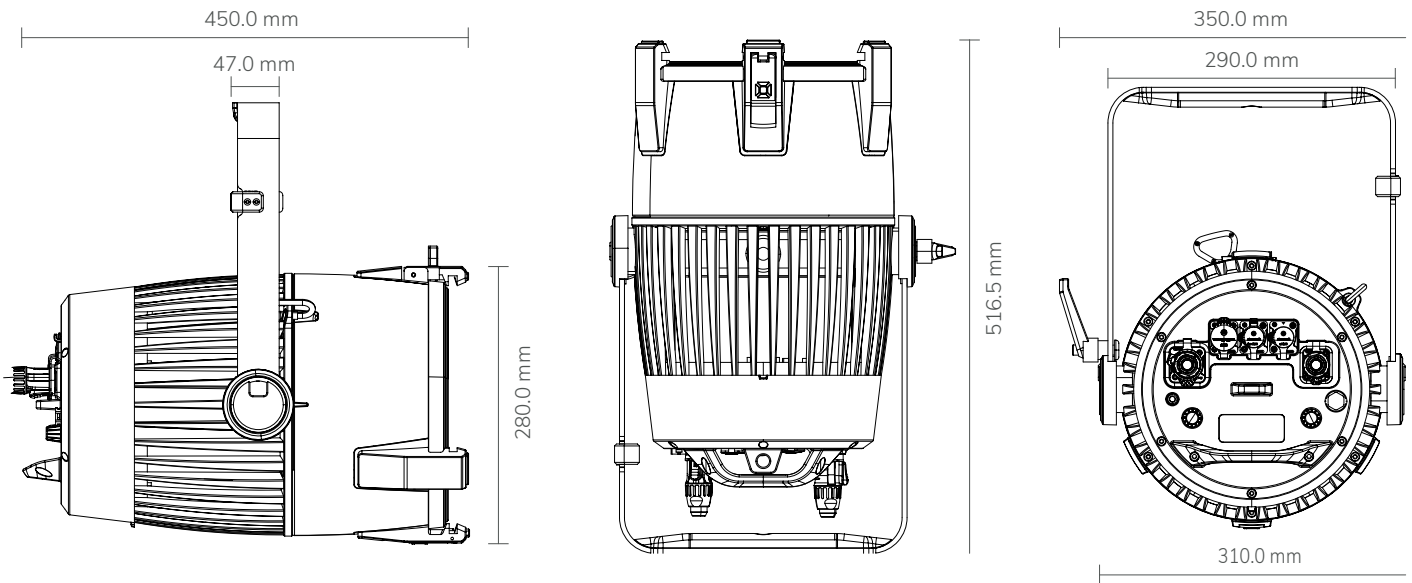
Operator & Controller	
DMX Functions	Dimmer, Dimmer Fine, Shutter, Duration, Hue, Saturation, Red, Red Fine, Green, Green Fine, Blue, Blue Fine, Lime, Lime Fine, CCT, Tint, Color Macro, Color Macro Crossfade, Device Settings
DMX channels	3CH CCT, 3CH RGB, 6CH RGB, 9CH RGB, 11CH RGB, 14CH RGB, 6CH DIRECT, 12CH DIRECT, 13CH DIRECT, 20CH DIRECT, <3CH HSI, 10CH HSI
DMX modes	12
Protocol	CRMX, W-DMX™ G2, W-DMX™ G3, W-DMX™ G4, W-DMX™ G4S USITT DMX512A RDM ANSI E1.20 Bluetooth Low Energy (BLE)
Setting and addressing	OLED graphical display / 4 controls, RDM ANSI E1.20
Standalone mode	Auto Program, Editor, Color Macro, Quick Color, Tunable White, User Color, Timer
Wireless DMX	Lumenradio with RDM (CRMX)
Indicator	OLED graphical display
Controls	4 touch sensitive, backlighted controls
Strobe	0-20Hz
DMX I/O	IP65 XLR 5-pin male/female
Power In	TRUE1 compatible input & link-thru sockets
Dimensions & Weight	
IP class	IP65
Body material	Aluminum, Nylon
Lens material	Tempered glass front
Net dimensions incl. Yoke (w x h x d)	350 x 280 x 450mm
Net dimensions incl. Yoke inches	13,78 x 11,02 x 17,72 inches
Physical Head Straight Up Height	516,5mm (20,33 inches)
Net weight (including Yoke)	13,5 kg (29,76lbs)
Tilt	360°
Tilt Locking System	Locking system with angle indicator
Included / Optional	
Included items	2x radiator caps for pendant installation 2m power cord
Optional Accessories	Multiple Lens Plates (circular & elliptical), 8-Way Barndoor, Honey Comb, PO Yoke, Omega Bracket with quarter-turn fasteners, Grid Holder, Half Grids (Single & Double), Touring Cases
Color options	Black – RAL 9004 (Standard) White – RAL 9010 (on request) Custom color – any RAL (on request)
Installation	
Mounting point on fixture	1 x two quarter-turn locking points for optional Omega Bracket, centric hole 13mm (1/2"), 2x extra holes for TV Spigot
Orientation	Any
Rigging possibilities	Hanging or ceiling / pendant mount (Pendant blind caps included)
Safety features	Top and rear mount for safety wire
Minimum distance from flammable materials	0,3 meters (11,8 inch)

Luminaire Photometrics

Very Narrow Lens



Lens	Angle	Distance									
		1m/3.3ft		3m/9.8ft		5m/16.4ft		7m/23ft		10m/32.8ft	
		Lux Center lx/fcd	Diameter m/feet	Lux Center lx/fcd	Diameter m/feet	Lux Center lx/fcd	Diameter m/feet	Lux Center lx/fcd	Diameter m/feet	Lux Center lx/fcd	Diameter m/feet
VN	Beam angle: 14,5°	213078/ 19796	0,3/0,8	23675/ 2200	0,8/2,5	8523/ 792	1,3/4,2	4349/ 404	1,8/5,9	2131/ 198	2,5/8,4
N	Beam angle: 23°	117411/ 10908	0,4/1,3	13046/ 1212	1,2/4	4696/ 436	2/6,7	2396/ 223	2,9/9,4	1174/ 109	4,1/13,4
M	Beam angle: 34,5°	55718/ 5176	0,6/2,1	6191/ 575	1,9/6,1	2229/ 207	3,1/10,2	1137/ 106	4,3/14,3	557/ 52	6,2/20,4
W	Beam angle: 48,9°	32794/ 3047	0,9/3	3644/ 339	2,7/8,9	1312/ 122	4,5/14,9	669/ 62	6,4/20,9	328/ 30	9,1/29,8
EN	Beam angle: 22,6°x16,3°	137792/ 12801	0,4x0,3/ 1,3x0,9	15310/ 1422	1,2x0,9/ 3,9x2,8	5512/ 512	2x1,4/ 6,5x4,7	2812/ 261	2,8x2/ 9,2x6,6	1378/ 128	4x2,9/ 13,1x9,4
EW	Beam angle: 54,5°x17,6°	56574/ 5256	1x0,3/ 3,4x1	6286/ 584	3,1x0,9/ 10,1x3	2263/ 210	5,1x1,5/ 16,9x5,1	1155/ 107	7,2x2,2/ 23,7x7,1	566/ 53	10,3x3,1/ 33,8x10,1



Order Number

E.SHOW maxx TW+	Order Number
E.SHOW maxx TW+ Black	11201201
E.SHOW maxx TW+ White	on request
E.SHOW maxx TW+ Custom	on request
Accessories	Order Number
E.SHOW maxx Lens VN (Very Narrow)	11205001
E.SHOW maxx Lens N (Narrow)	11205101
E.SHOW maxx Lens M (Medium)	11205201
E.SHOW maxx Lens W (Wide)	11205301
E.SHOW maxx Lens EN (Elliptical Narrow)	11205401
E.SHOW maxx Lens EW (Elliptical Wide)	11205501

Accessories	Order Number
E.SHOW maxx Barndoor	11905601
E.SHOW maxx Honey Comb	11905701
E.SHOW maxx PO-Yoke	11905801
Floor Extension	13907201
E.SHOW maxx Grid Holder	11910001
E.SHOW maxx Half Grid Single	11910101
E.SHOW maxx Half Grid Double	11910201
Omega Bracket ST	90900002

