

CLUSTER B4 W



- 4 x 300W White
- WarmWhite + Amber + Red LED's
- Up to 40.000lm luminous flux
- C-Lok Cluster System
- Magnetic Pre-Link system

All CLUSTER products can be easily connected both horizontal and vertically, by using the integrated C-Lok system. The series is made to enable toolless multiple array configurations, scalable from a single vertical line, to massive matrix like arrays. Due IP65 rating all products are outdoor ready and protected from ingress of dust and rain. There are several mounting options – Camlock mounts on top and back enable the use of Omega-Brackets, Yokes can be attached to mounting points on all sides, or the internal C-Lok system can be used for seamless inter-connection. Pre-Link Magnets on top and side help to align the fixtures, giving an incredible user-friendly operation and save interlocking. A specially designed rigging bracket is used for seamless connection of multiple Blinders, to avoid gaps due to bracing of the truss structure by variable, sliding mounting positions. Floor extensions can be used to create vertical structures in single or double rows.

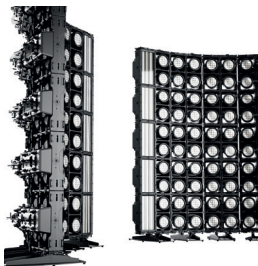
In the warmwhite versions, an emulated 'shift to warm' warms the color temperature of the light as it dims. To deliver a perfect classic tungsten look, Amber and Red LED's are mixed with the highpower warmwhite LED's when decaying.



Accessories



Line Array
(Flybar)



Line Array
(Floor Bracket)



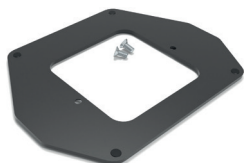
Yoke 4.2
(Included)



Yoke 4.3
(Optional)



Omega Bracket



Floor Extension



Rigging Bracket G2



Floor Bracket



Cases

Technical Data

Photometrics

LED expected lifetime	50.000 hours
Lightsource	4x 300W Warm-White + Amber + Red
Type of optical system	Reflector with Compound Eye Lens
LED PWM Frequency	selectable 800Hz, 1.200Hz, 2.000Hz, 3.600Hz, 12kHz, 25kHz
Beam angles (50%)	50°
Maximum Field angles (10%)	87°
Color temperature range	2.900K
CRI/Ra	80
Efficacy (max)	25,19 lm/W
Luminous flux	34.000 lm
illuminance Lux @ 1m / 3,3ft	37870lx / 3518fcd
illuminance Lux @ 3m / 9,8ft	4295lx / 399fcd
illuminance Lux @ 5m / 16,4ft	1535lx / 143fcd
illuminance Lux @ 7m / 23,0ft	795lx / 74fcd
illuminance Lux @ 10m / 32,8ft	395lx / 37fcd

Thermal Characteristics

Cooling	Active, Forced Air, Temperature-regulated
Humidity (max.)	95%
Temperature range, Operating	-40°C to 45°C
Temperature range, Start-up	-20°C to 45°C
Temperature range, Storage	-40°C to 80°C
Thermal Protection	Automatic overtemperature protection

Electrical Data

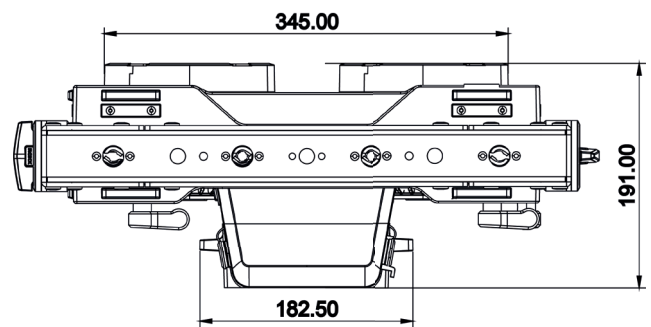
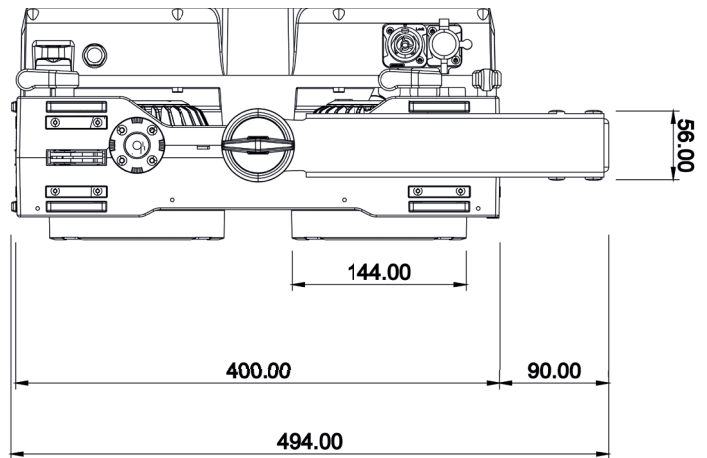
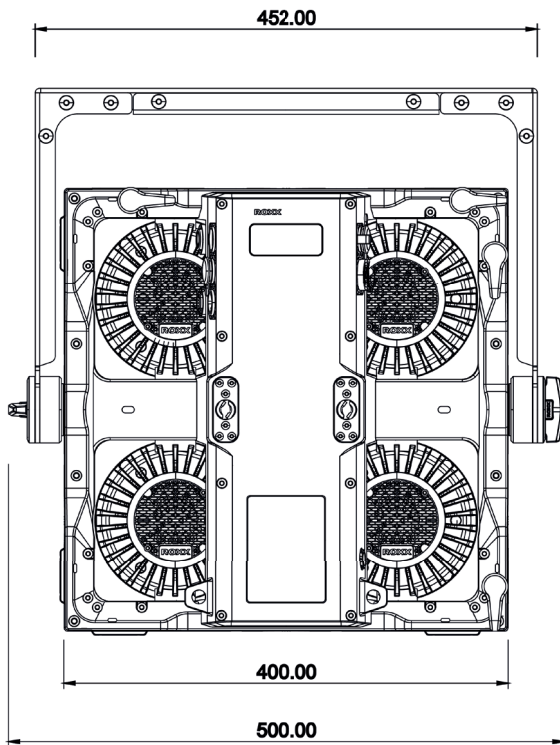
AC Power, max	90 – 285V 50/60Hz
AC Power, nominal	100 – 240V 50/60Hz
Electrical protection	Overload protection with automatic recover
Max power consumption (Boost Mode)	1350W
Constant power consumption (Illumination Mode)	440W
Power Max. Out	9A @ 230V / 2A @ 120V
Power Linking @ Max Power Consumption (Boost Mode)	1 unit @ 230V / 0 unit @ 120V
Power Linking @ Constant Power Consumption (Illumination Mode)	7 units @ 230V / 2 units @ 120V
Power Factor	0.944 PF (230V) / 0.998 PF (120V)
Power Supply Unit	Inbuilt auto-ranging electronic switch-mode

Operator & Controller

DMX Functions	Master Dimmer, Master Dimmer Fine, Shutter, Duration, Dimmer 1-4, Dimmer 1-4 Fine, Dimmer Curve, Dimmer Response, Redshift, Effect, Device Settings
DMX channels	1CH DWE, 4-1CH DWE, 4-2CH DWE, 7CH STROBE, 9CH STANDARD (default), 12CH EXTENDED, 17CH EXTENDED
DMX modes	7
Protocol	USITT DMX512A RDM ANSI E1.20
Setting and addressing	OLED graphical display / 4 controls RDM ANSI E1.20
Standalone mode	Auto Program, Quick Light
Wireless DMX	n.a.

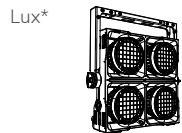
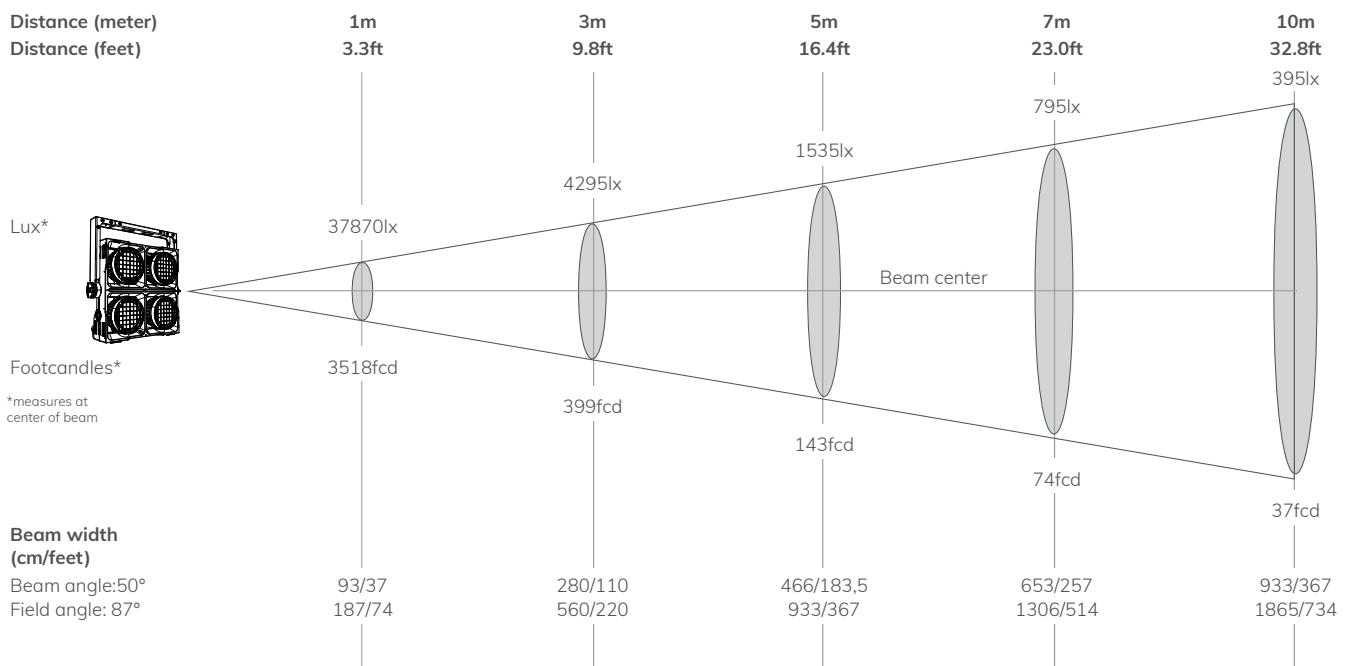
Operator & Controller	
Indicator	OLED graphical display
Controls	4 touch sensitive, backlighted controls
Strobe	0-20Hz
DMX I/O	IP65 XLR 5-pin male/female
Power In	TRUE1 compatible input & link-thru sockets
USB Firmware Update	IP65 USB socket
Dimensions & Weight	
IP class	IP65
IK class	IK08
Body material	Aluminum, Nylon
Lens material	Tempered glass front
Net dimensions (w x h x d)	400 x 400 x 191mm
Net dimensions inches	15,75 x 15,75 x 7,52 inches
Net weight (incl. Yoke)	16,2 kg (35,71lbs)
Tilt	360°
Tilt Locking System	Locking system with tothing and angle indicator
Included / Optional	
Included items	Yoke 4.2, 2m Power Cable, Puk
Optional Accessories	Yoke 4.3, Yoke Floor Extension, Rigging Bracket G2, Omega Bracket ST, Floor Bracket, CLUSTER Line Array Fly Bar, CLUSTER Line Array Side Bracket Set, CLUSTER Line Array BackBone 4, CLUSTER Line Array Backbone 2+2, CLUSTER Line Array Floor Bracke
Color options	Black – RAL 9004 (Standard) Custom color – any RAL (on request)
Installation	
Mounting point by Yoke (included)	3x 13mm / 1/2" holes, 1x centric TV Spigot attachment, 3x integrated Camlocks for Omega Brackets
Mounting point on fixture	1/4 turn Omega Bracket on top and rear side
Mounting point with optional Rigging Bracket	2x 13mm / 1/2" holes for Clamp fixation
Orientation	Any
Rigging possibilities	Hanging or ceiling / pendant mount
Safety features	2x rear mount for safety wire
Minimum distance from flammable materials	0,3 meters (11,8 inch)

Technical Drawing



Luminaire Photometrics

B4 W



Footcandles*

*measures at center of beam

Beam width (cm/feet)

Beam angle: 50°
Field angle: 87°

Order Number

CLUSTER	Order Number
B2 FC	13202101
B4 FC	13204101
B2 W	13202001
B4 W	13204001
Accessories	Order Number
Yoke 2.2	13907001
Yoke 4.1	13907601
Yoke 4.3	13907101
Floor Extension	13907201
Rigging Bracket G2	13907411

Accessories	Order Number
Floor Bracket	13908501
Case 4 pcs. / 8 pcs.	13907411
Case 2 pcs / 4 pcs.	13907511
Omega Bracket	90900002
CLUSTER Line Array Flybar	13909501
CLUSTER Line Array Side Brackets	13909601
CLUSTER Line Array Back Bone 4	13909701
CLUSTER Line Array Back Bone 2+2	13909801
CLUSTER Line Array Floor Bracket	13909901

Further Versions



CLUSTER B4 FC



CLUSTER B2 W



CLUSTER B2 FC

