



## NEO fx

### Creative Pixel Washlight

- 24 x 40W RGBL provide a luminous flux of 12,000lm
- Dual independent zoom levels (patent pending), 4.5°-70° zoom range
- Magnetic Smart-Glass filter (patent pending) enables dynamic beam, wash and unprecedented graphic effects
- 60,000lx (RAW) / 57,000lx (5600K) @ 5m
- Single Pixel Control
- IP65 In/Outdoor

The NEO fx is a powerful and versatile LED wash and effect light, designed for the most demanding lighting applications. With its IP65-rated housing, 24x40W RGBL LEDs, and a massive zoom range of 4.5°-70° enabled by two independent zoom levels (patent pending), it sets a new standard for creative lighting versatility. Delivering a luminous flux of 12,000lm (5600K) and an illuminance of 60,000lx (RAW) / 57,000lx (5600K) @ 5m, the NEO fx ensures exceptional brightness and performance in both indoor and outdoor environments.

The fixture stands out with patented features, including a unique zoom effect created when paired with the removable, magnetic Smart Glass Filter. This filter, also patented, adds a dynamic strobe effect and allows seamless transitions between a narrow beam, a wide wash, and stunning graphic effects, opening unparalleled creative possibilities.

Enjoy precise lighting control with single pixel control. The fixture's quiet and fast motorized 188° tilt enhances dynamic lighting design, while numerous built-in effects offer foreground and background color control for easy animation and chase effects.

Its dual-input mode allows control to be split into basic and pixel functions for enhanced flexibility. Advanced wireless capabilities, including an integrated CRMX transceiver, Bluetooth module, and Near Field Communication (NFC), ensure effortless setup and configuration, even without power.

The NEO fx supports DMX, SACN, Art-Net, and RDM, giving you complete control over your lighting setup. Optional accessories include an elliptical holographic filter and touring cases for secure transportation.

With a CRI and TLCI of 85 across the white spectrum, the NEO fx delivers accurate and vibrant color reproduction for professional-grade results.

Whether used as a standalone unit or in combination with multiple fixtures, the NEO fx is the perfect choice for concerts, tours, festivals, live events, and broadcast productions, bringing state-of-the-art lighting effects to every stage.

### Apps



### Accessories



Smart Glass Filter



Elliptical Horizontal Filter



Omega Bracket ST



Cases

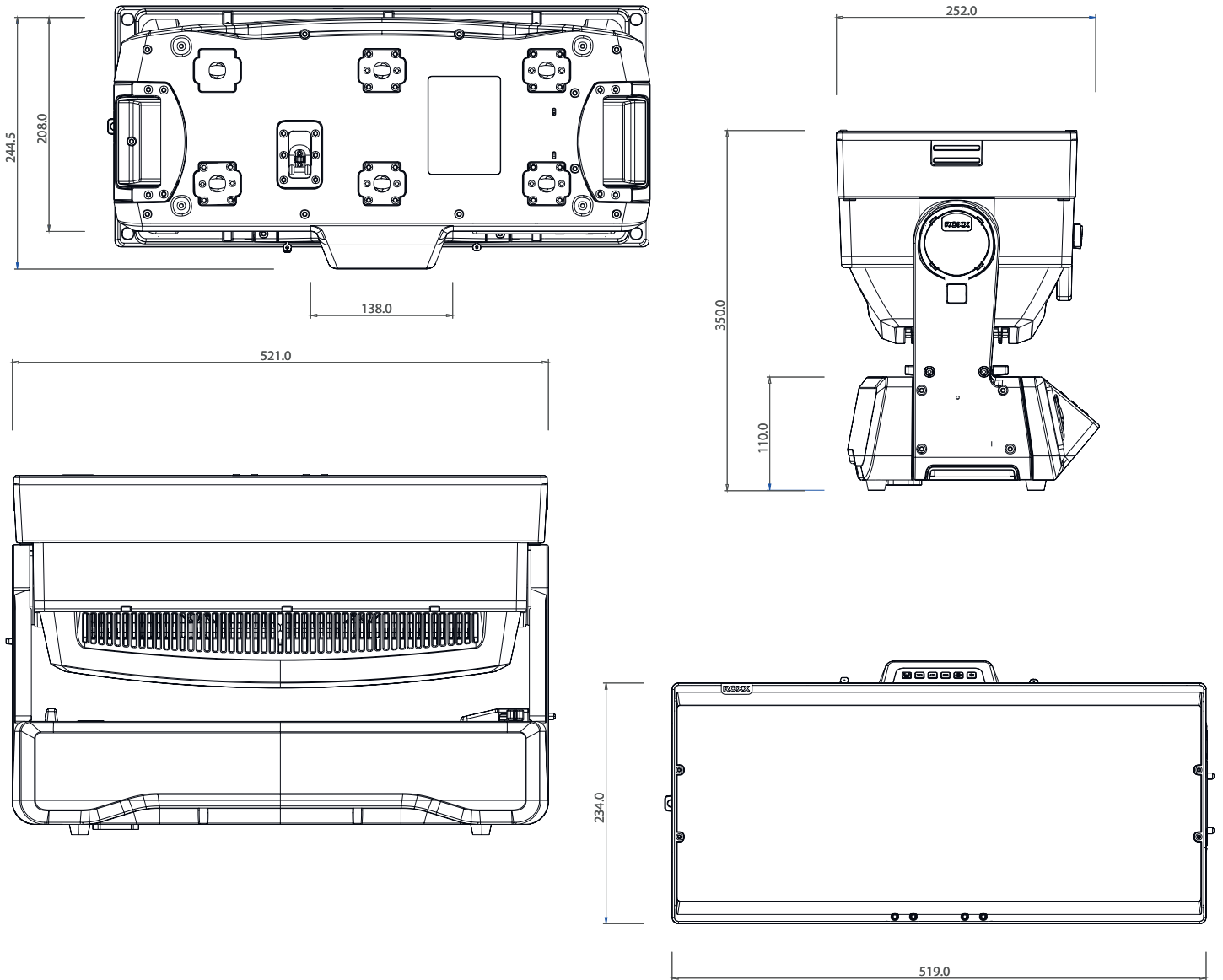
## Technical Data

Photometrics	
LED expected lifetime	50.000 hours
Lightsources	24x 40W RGBL
Type of optical system	Lightrud & PC Zoom lens
LED PWM Frequency	selectable 800Hz, 1.300Hz, 2.000Hz, 3.600Hz, 12kHz, 25kHz
Total Zoom Beam / Field angle	4,5° - 70° (50% beam) / 6,9° - 142° (10% field)
Optical (Motor) Zoom Beam / Field angle	4,5° - 30° (50%) / 6,9° - 40° (10% field)
Color temperature range	2000-10.000K
CRI/Ra @ 5600K	76 @ Normal CRI / 85 @ High CRI
TLCI @ 5600K	63 @ Normal CRI / 75 @ High CRI
TLCI mixed @ 11.000K	85
Luminous flux @ 5600K (wide zoom / normal CRI)	12.300lm
illuminance Lux @ 5m / 16,4ft (@ Full / RAW) @ narrow zoom	59.820lx
illuminance Lux @ 5m / 16,4ft (@ 5600K Normal CRI) @ narrow zoom	56.790lx
illuminance Lux @ 5m / 16,4ft (@ 5600K High CRI) @ narrow zoom	34.780lx
Efficacy @ Full 230V (max)	12.30 lm/W
Dimensions & Weight	
IP class	IP65
IK class	IK08
Body material	Magnesium, Aluminum, Nylon
Lens material	Tempered glass front
Net dimensions (w x h x d) - head straight up	521 x 347 x 245
Net dimensions inches - head straight up	20,52 x 13,66 x 9,65
Net weight	24.15 kg / + Filter 24.8 kg
Tilt	188°
Tilt Locking System	Mechanical locking system
Thermal Characteristics	
Cooling	Active, Forced Air, Temperature-regulated
Humidity (max.)	95%
Temperature range, Operating	-40°C to 45°C
Temperature range, Start-Up	-20° to 45°C
Temperature range, Storage	-40°C to 80°C
Thermal Protection	Automatic overtemperature protection
Electrical Data	
AC Power, max	90 – 285V 50/60Hz
AC Power, nominal	100 – 240V 50/60Hz
Electrical protection	Overload protection with automatic recover
Max. power consumption (Boost Mode)	1234W @ 230V / 1310W @ 100V
Constant power consumption (Illumination Mode)	1000W @ 230V / 1055W @ 100V
Power Max. Out @ Max. Power Consumption (Boost Mode)	5,55A @ 230V (1234W) / 13,44A @ 100V (1310W)

## Technical Data

Electrical Data	
Power Max. Out @ Constant Power Consumption (Illumination Mode)	4,44A @ 230V (1000W) / 10,6A @ 100V (1055W)
Power Linking @ Max. Power Consumption (Boost Mode)	2 units @ 230V / 1 units @ 100V
Power Linking @ Constant Power Consumption (Illumination Mode)	2 units @ 230V / 1 units @ 100V
Power Factor @ Max. Power Consumption (Boost Mode)	0.993PF @ 100V / 0.976PF @ 230V
Power Factor @ Constant Power Consumption (Illumination Mode)	0.994PF @ 100V / 0.976PF @ 230V
Standby Power	40W
Power Supply Unit	Inbuilt auto-ranging electronic switch-mode
Operator & Controller	
DMX Channels	15CH RGB, 19CH RGB, 26CH RGB, 30CH RGB, 28CH DIRECT, 33CH DIRECT, 81CH PURE, 154CH PURE, 9CH Dual mode, 10CH Dual mode, 95CH FULL ACCESS, 168CH FULL ACCESS
DMX Modes	12
Protocol	USITT DMX512A RDM ANSI E1.20 Art-Net sACN CRMX, W-DMX™ G2, W-DMX™ G3, W-DMX™ G4, W-DMX™ G4S Bluetooth (Low Energy)
Setting and addressing	2.0" TFTdisplay / 10 controls RDM ANSI E1.20 Near Field Control (NFC)
Standalone mode	Auto Program, Color Macro, Quick Color, Tunable White, User Color
Wireless DMX	Lumen Radio transmitt & receive function (CRMX)
Indicator	2.0" TFT display
Controls	10 backlighted controls
Strobe LED	0-30Hz
Strobe Smart Glass	0-5Hz
DMX I/O	IP65 XLR 5-pin male/female
Ethernet I/O	IP65 RJ45 Ethernet male/female
Power In	TRUE1 compatible input & link-thru sockets
USB Firmware Update	IP65 USB socket
Included / Optional	
Included items	2m Power Cable
Optional Accessories	Smart-Glass Filter (electronic frost), magnetic filter (elliptical-horizontal), Grid, Omega Bracket ST
Color options	Black – RAL 9004 (Standard) Custom color – any RAL (on request)
Installation	
Mounting point on fixture bottom side	3x 1/4 turn Omega Bracket
Mounting point on fixture Yoke side	1x 1/4 turn Omega Bracket
Orientation	Any
Rigging possibilities	hanging direct
Safety features	1x bottom mount for fixtures safety wire / 2x head-mount (handle) for accessory safety wires
Minimum distance from flammable materials	0,3 meters (11,8 inch)

**Technical Drawing**



**Order Number**

ROXX NEO fx	Order Number
ROXX NEO fx	14203001
Accessories	Order Number
NEO fx Filters (Smart Glass)	14906201
NEO fx Filters (Elliptical Horizontal)	14906301
Omega Bracket ST	90900002
NEO fx Case	TBA

